

BUA-40

Surge Protection Device



- 1 Brand
- 2 Type
- 3 Max. Discharge Current I_{max}
- 4 Nominal Discharge Current I_n
- 5 Voltage Protection Level U_p
- 6 Max. Continuous Operating Voltage U_{cpv}
- 7 Indicator
- 8 Standard Code
- 9 Certificate Symbol

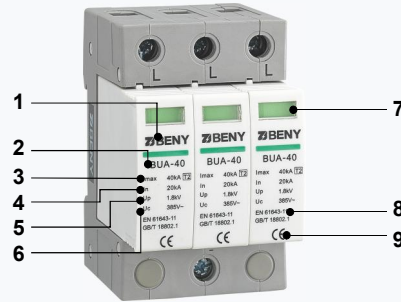
- Prewired Modular Complete Unit, Consisting of A Base Part and Plug-in Protection Modules
- Plug-in Protection Module, Easily Installation and Maintenance
- High Energy Varistor, Response Time Less Than 25 Nanosecond
- Optional Remote Signalling Contact(FM) for Monitoring Device (Floating Changeover Contact)
- Din Rail Mounting TH35-7.5/DIN35



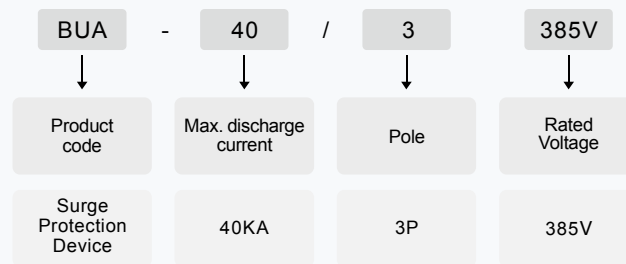
Application

ZBENY BUA-40 Surge Protection Device was designed and manufactured, complying standard GB/T 18802.1/EN 61643-11, Rated voltage 385V, Maximum discharge current 40KA, High Energy Varistor, high effective for lightning protection.

Appearance Introduction



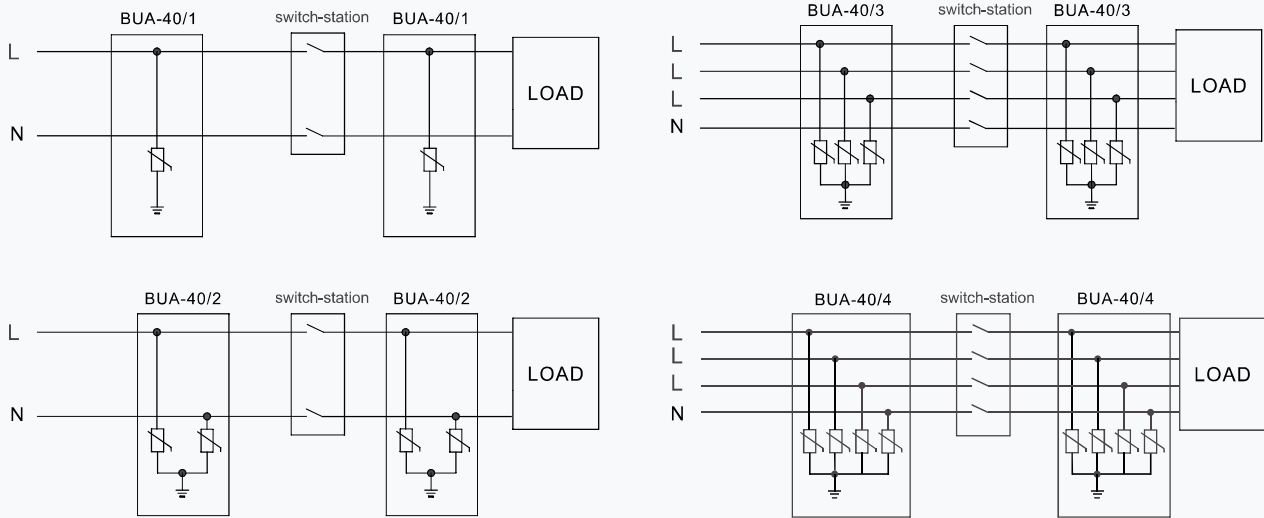
Type Instruction



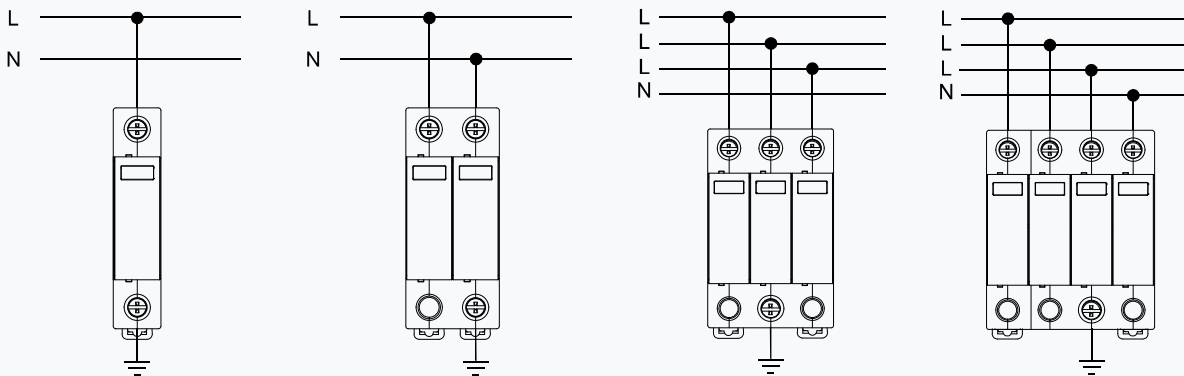
Parameter

BUA-40 Surge Protection Device	
Pole	1P/2P/3P/4P
Standard	GB/T 18802.1/EN 61643-11
Electrical Characteristics	
Category IEC/EN	IEC II/EN2
Max Continuous Operational Voltage U_c	385V AC
Nominal Discharge Current $I_n(8/20)\mu s$	20KA
Maximum Discharge Current $I_{max}(8/20)\mu s$	40KA
Voltage Protection Level U_p	$\leq 1.8KV$
Response Time	$\leq 25ns$
Control and Indication	
Operating State/fault Indication	Green/Red
Plug-in Protection Module	■
Remote Signalling Contact(Optional)	Max. Working Voltage(V) 30V DC Max. Working Current 1A
Connection and Installation	
Wire	Hard cable mm^2 4~25 Flexible cable mm^2 4~16
Terminal Screws	M5
Torque(Nm)	Main Circuit 2.5 Remote Contact 0.25
Degree of Protection	IP20
Installation Environment	
Operating Temperature Range (TU)	-40°C~+80°C
For Mounting on	TH35-7.5/DIN35
Relative Humidity	30%~90%

Principal Drawing



Wiring Method



Dimensions(mm)

