

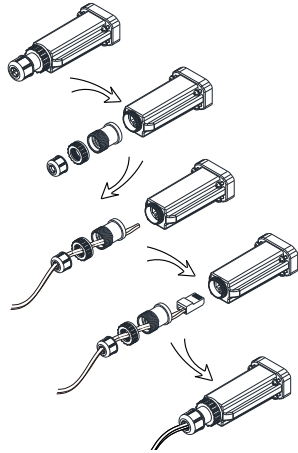


Pocket LAN V2.0 User Manual

Please read this user manual carefully before use.

Installation

1 Screw off three components on the bottom of the Pocket LAN V2.0, insert the Internet cable and then make the RJ45 Port for the cable as below. Tighten those components.



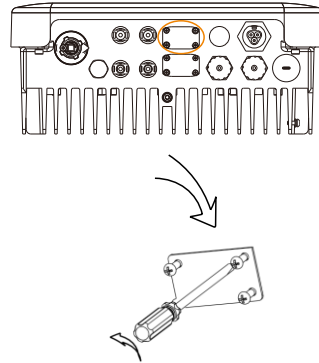
01

Note: Please use the STANDARD Internet cable.

2 Screw off the Wifi/Lan/GPRS lid at the bottom of inverter.

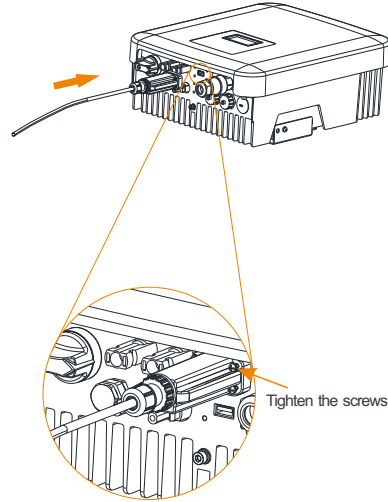


-Please make sure all power has been turned off at least 5 minutes before the Installation.
-Please don't insert the Pocket LAN V2.0 into RF port or Upgrade port.



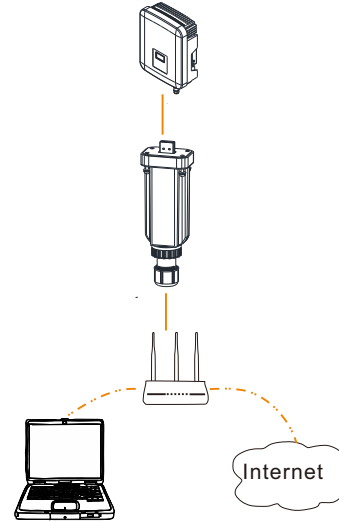
02

3 Insert the Pocket LAN into WiFi/Lan/GPRS port at the bottom of inverter.



03

4 Connect the other side of the network cable to the home router. And make sure the home router works in good condition.



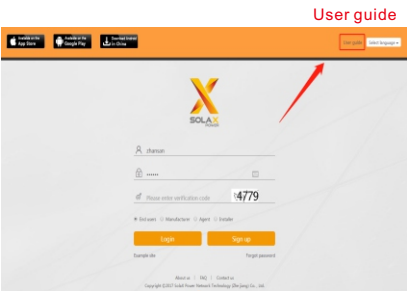
04



Monitor

1 Monitoring website

- Step 1: Choose Internet access tools such as desktop or laptop. Make sure that the machine is in a network state.
- Step 2: Enter the website in a browser "https://www.solaxcloud.com".
- Step 3: Select web page display language. Then read the User guide and Sign up.



- Step 4: Complete registration, login, add sites and other related operations according to the guidelines of the User Guide.

2 Monitoring app

- Step 1: Use smart phone to scan the QR code below or search the keyword "SolaxCloud" in app store to download the monitoring app.

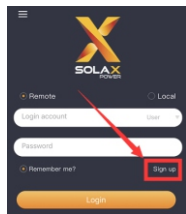


IOS

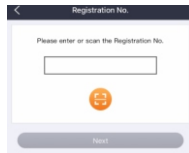


Google

- Step 2: Open SolaxCloud App and click "Sign up" button on the login screen. Enter the Registration No. or scan the module label on Pocket Lan to identify it and complete the registration.



Sign up



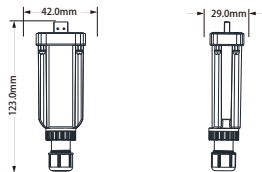
(Registration No. example)

Synopsis

Pocket LAN makes the monitoring of PV systems feasible and efficient by collecting information from inverter including status, performance and updating information to monitoring website.

- Quick installation with "Plug & Play" function
- IP 65 dust prevention water proofing design
- Stable data transmission and good reliability
- Eco-green and modern design

Appearance and Dimension



Technical Data

Product Name	Pocket LAN
Model	Pocket LAN V2.0
Supply Voltage	+3.3 V
Data upload intervals	5min
Bandwidth	10/100M
Weight	54g
Dimension	123×29×42mm
Degree of protection	IP 65

Safety Instructions

- Before installation, all power of inverter must be cut off.
- Keep away from flammable, explosive materials.
- Do not force dismantle or scrap the unit.
- Children should be supervised to ensure that they do not play with this appliance.

Warranty Regulation and Liability

Terms and conditions

SolaX grants a warranty of 12 months as standard. Starting from the date of the purchase invoice marked. SolaX will only perform warranty service when the faulty unit is returned to SolaX together with a copy of invoice and warranty card which were issued by the dealer and manufacturer to the users. In addition, the type label of the unit must be fully legible. If these requirements are not fulfilled, SolaX reserves the right to deny warranty service.

Exclusion of liability

Warranty claims are excluded for direct or indirect damage due to:

- 1: Use of unit in ways not intended, improper installation and installation that does not comply with standards, improper operation and unauthorized modification to the units or repair attempts.
- 2: Without warranty card and serial number.
- 3: Operating the units with defective protective equipment.
- 4: Influence of foreign objects and force majeure.
- 5: Inadequate ventilation.
- 6: Violate relevant safety regulations.

Warranty Registration Form

Name Country

Phone Number..... Zip Code

Email

Address

Product Serial Number.....

Date of Commissioning

Installation Company Name

Date of Delivery

Signature

To register your SolaX product, please mail this warranty card to:

ADD: Room 220, West Building A Sci. and Tech Park of Zhejiang University No.525, Xixi Road, Hangzhou Zhejiang Province, China 310007

Tel: +86 571 56260011 Fax: +86 571 56075753

Email: service@solaxpower.com

Web: <http://solaxpower.com/warranty/>

Online warranty registration is available at <http://solaxpower.com/warranty/>

